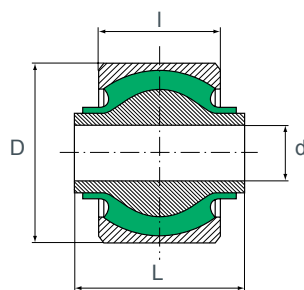
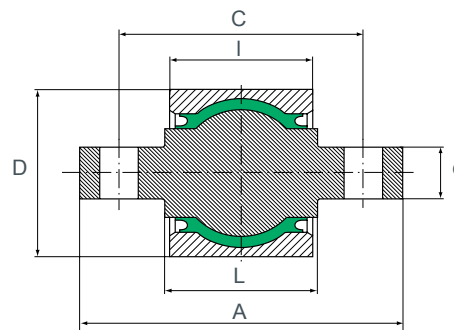


SPHERICAL BUSHES

SPHERIFLEX®



Shape 1



Shape 2

| d (mm) | D (mm) | L (mm) | A (mm) | I (mm) | C (mm) | Radial Load | | Torsion | | Conical | | Ref. |
|-----------|-----------|-----------|-----------|-----------|-----------|--------------|---------------------|------------------|---------------------|------------------|---------------------|--------|
| | | | | | | Max (daN) | Stiffness daN/mm | Max (degrees) | Stiffness daN/mm | Max (degrees) | Stiffness daN/mm | |
| 35 | 62 | 36 | - | 36 | - | 1 000 | 16 000 | 12 | 1 000 | 8 | 680 | 563075 |
| 24 | 64 | 58 | - | 30 | - | 800 | 22 000 | 12 | 220 | 10 | 220 | 563489 |
| 35 | 67 | 35(b) | - | 36 | - | 1 000 | 16 000 | 12 | 1 000 | 8 | 680 | 563559 |
| 26 | 80 | 72(b) | - | 56 | - | 3 800 | 55 000 | 10 | 2 200 | 8 | 1 900 | 563353 |
| 26 | 80 | 78(b) | - | 56 | - | 3 800 | 55 000 | 10 | 2 200 | 8 | 1 900 | 563343 |
| 40(a) | 80 | 49(b) | - | 56 | - | 3 800 | 55 000 | 10 | 2 200 | 8 | 1 900 | 563354 |
| 36 | 85 | 80 | - | 66,5 | - | 3 800 | 30 000 | 12 | 2 150 | 6 | 1 650 | 563317 |
| Axe | 85 | 100 | 180 | 71 | 140 | 3 800 | 30 000 | 12 | 2 150 | 6 | 1 650 | 563425 |
| Axe | 88 | 75 | 144 | 66 | - | 3 800 | 30 000 | 12 | 2 150 | 6 | 1 650 | 563253 |
| 36 | 90 | - | 80 | 71 | - | 4 400 | 53 800 | 12 | 2 300 | 8 | 3 050 | 563316 |
| Axe | 90 | 90 | 170 | 68 | 130 | 4 000 | 50 000 | 12 | 2 150 | 10 | 2 800 | 563345 |
| Axe | 90 | 80 | 172 | 77 | 130 | 4 400 | 53 800 | 12 | 2 300 | 8 | 3 050 | 563300 |
| Axe | 90 | 90 | 170 | 77 | 130 | 4 400 | 53 800 | 12 | 2 300 | 8 | 3 050 | 563555 |
| Axe | 90 | 100 | 180 | 77 | 140 | 4 400 | 53 800 | 12 | 2 300 | 8 | 3 050 | 563426 |
| 44 | 100 | 114 | - | 87,5 | - | 7 000 | 60 000 | 12 | 1 500 | 8 | 2 000 | 563571 |
| 44 | 100,2 | 116 | - | 72,5 | - | 7 000 | 60 000 | 12 | 1 500 | 8 | 2 000 | 563605 |

(a) The internal diameter is shouldered (b) Length L not centered

1 kg ≈ 1 daN